

## IMPORTANT! READ THIS FIRST BEFORE COMMENCING INSTALLATION

### MULTI-MAGIC DUCT SENSOR INSTALLATION

This sensor measures the air temperature and relative humidity inside ducts.

It is intended for use with a compatible CW-80 or CW-H cooler. One sensor can be connected per cooler.

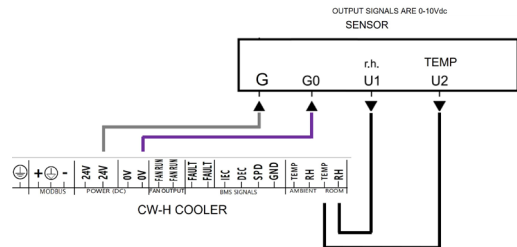
The sensor requires 24VDC power and 2 signal wires.

#### Recommended Cable Specification

- Instrumentation Cable
- 4x 0.5mm<sup>2</sup> (AWG 20) conductors;
- Communication wiring must be kept separate from AC power wiring.
- Always route communication cables at least 300mm (12") away from high voltage cables and high-power machines.
- Crossover high power cables at right angles.

**Note!** 24VDC power can be supplied by the cooler (as shown) or a separate power supply (not included).

### CW-H TERMINAL WIRING



ILL3778-C

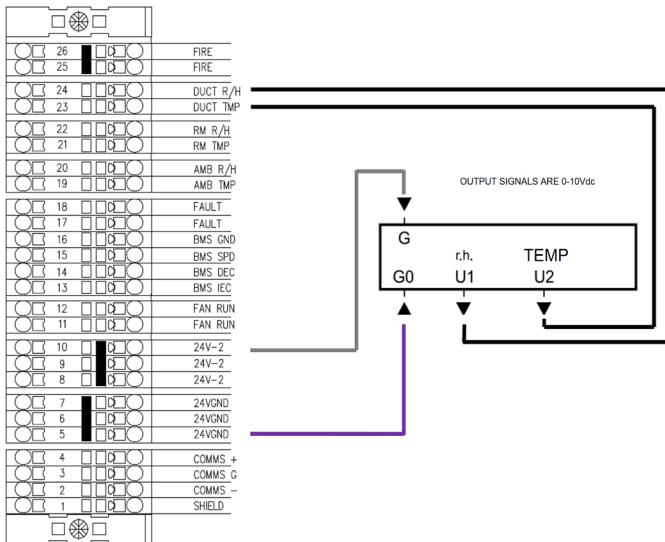
**Note!** CW-H coolers do not have dedicated duct sensor input terminals. Instead, use the terminals labelled ROOM

After installation, use the LEFT/RIGHT buttons to navigate to the SENSORS screen on the cooler PLC screen.

Check the Temperature and R/H values on cooler PLC screen are present and correct.

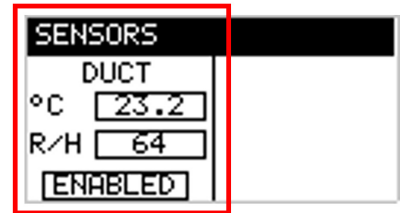
Select the ENABLED/DISABLED field under the sensor and set to ENABLED.

### CW-80 TERMINAL WIRING



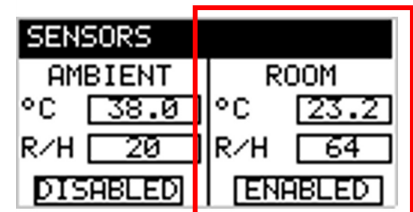
ILL3855-B

CW-80



ILL3856-A

CW-H



ILL3779-B

**Warranty Service Australia**  
1300 650 644

For outside Australia contact your local dealer.

[seeleyinternational.com](http://seeleyinternational.com)

It is the policy of Seeley International to introduce continual product improvement. Accordingly, specifications are subject to change without notice. Please consult with your dealer to confirm the specifications of the model selected.