

Breezair
By SEELEY INTERNATIONAL 

ICON EXQ SERIES

HIGH PERFORMING RESIDENTIAL



WORLD-LEADING NATURAL COOLING TECHNOLOGY



Introducing the advanced
MAGI@TOUCH
Next generation smart controller

THE BREEZAIR ICON EXQ SERIES: VARIABLE SPEED

WORLD-LEADING NATURAL COOLING TECHNOLOGY

The Breezair ICON EXQ Series features the most efficient and quietest evaporative air conditioners available. The ICON EXQ offers all of benefits exclusive to Seeley International – while delivering 100% fresh, cool, outside air at much lower costs than refrigerated cooling methods.

DIGITAL SMARTBOX™ / CONTROL POWER MODULE

A state-of-the-art digital electronic control means optimum performance. The Smartbox digital control module monitors and controls all of the cooler's features to provide ultimate comfort conditions, temperature sensing and water quality supervision – safely and reliably.

ULTRA-QUIET CENTRIFUGAL FAN

The Breezair forward curved, centrifugal fans are made from injection-molded polypropylene.

The Breezair centrifugal fans are double-width, statically and dynamically balanced with aerofoil blades providing high pressure and low noise levels.

HUSHPOWER® DIRECT DRIVE INVERTACOOOL MOTOR

This variable-speed motor is quiet and efficient, uses less energy and is corrosion resistant.

TORNADO® WATER PUMP

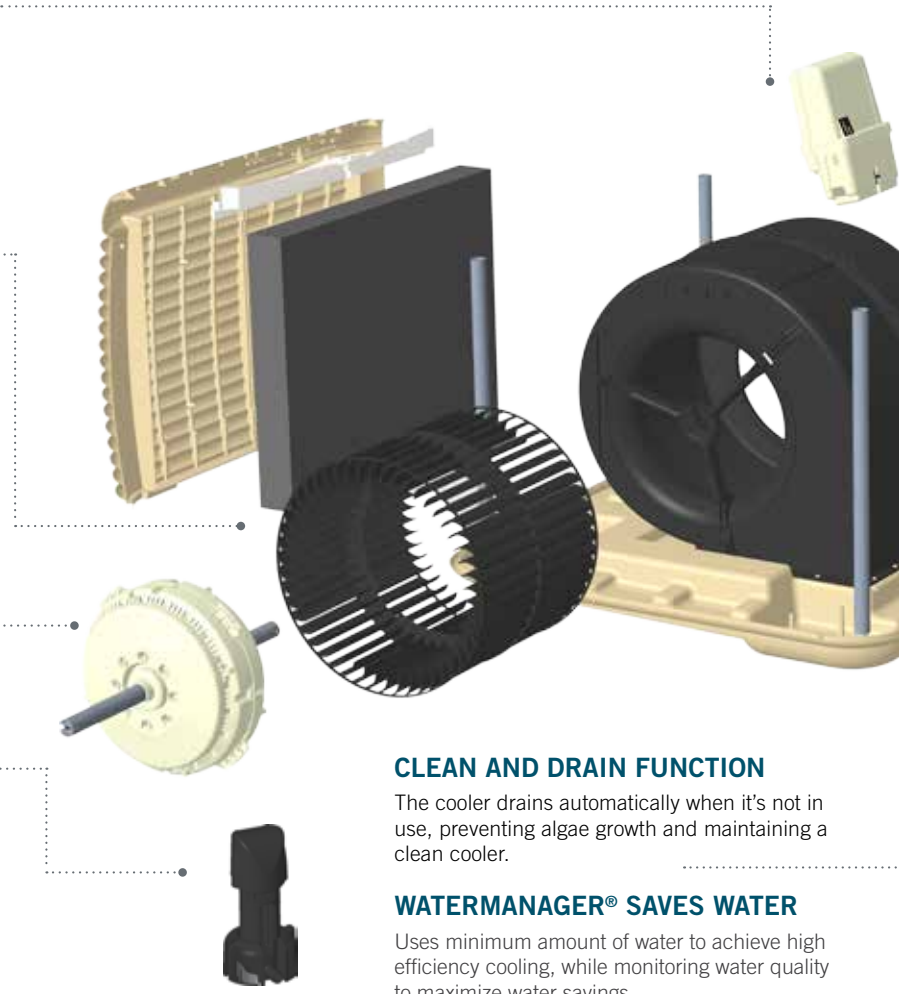
The Tornado pump is built to last and features an encapsulated motor with thermal overload protectors preventing water from getting in. Plus, it has impact-start feature that will overcome any tendency for the pump to become locked up with residue during prolonged off periods. The strong synchronous motor has constant speed, independent of voltage fluctuations.

CLEAN AND DRAIN FUNCTION

The cooler drains automatically when it's not in use, preventing algae growth and maintaining a clean cooler.

WATERMANAGER® SAVES WATER

Uses minimum amount of water to achieve high efficiency cooling, while monitoring water quality to maximize water savings.



MAGIQTOUCH® (Additional Cost)

TOUCH SCREEN TECHNOLOGY

Smart with sophisticated and incredibly intuitive, your MagIQtouch® controller makes operating your Breezair, a breeze. Control the temperature, fan speed and many more features on a user friendly touch screen. Discreet and modern design will blend seamlessly into the décor of your home.



MAGIQTOUCH®
wired controller

Touch screen, wall mounted controller wired to your home



MAGIQTOUCH®
wireless controller
(Radio Frequency)

Use the latest in Radio Frequency (RF) channel hopping technology with no need for wiring



THE INTELLIGENT CHOICE FOR YOUR HOME, THE ENVIRONMENT AND YOUR BUDGET

Unlike air-conditioning that requires harsh, earth-unfriendly chemicals to cool the air, Breezair uses only water. That makes the Breezair cooling system the green alternative – and the environmentally conscious choice.

When cooling your home with an ICON EXQ evaporative cooling is the smartest move you can make.

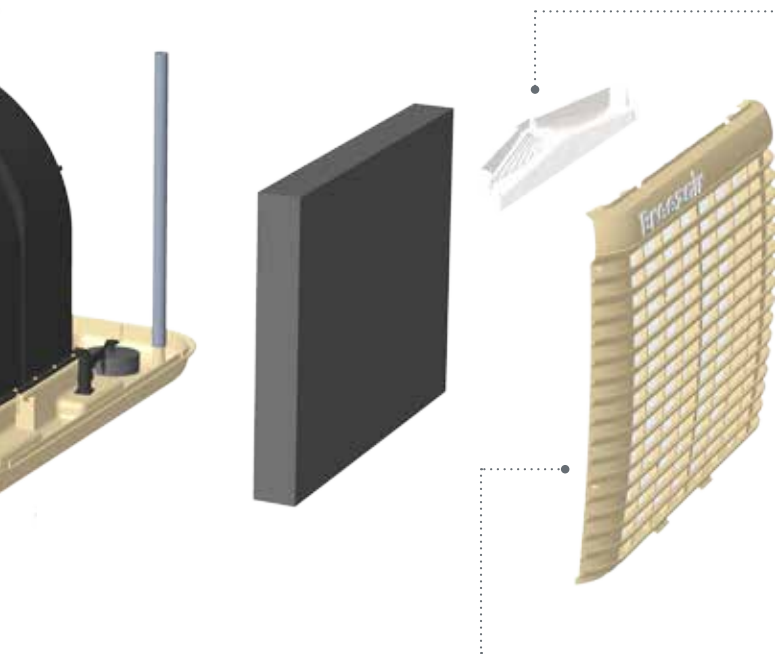
The advantages for your budget and for the environment are obvious with this green, environmentally conscious cooling system.

THE BREEZAIR COOLING SYSTEM:

- Is more energy-efficient and cheaper to run when compared to a standard efficiency ducted refrigerated system!
- Is healthier for the environment – drastically reduced power use, no harmful emissions and no synthetic refrigerants
- Is easier to install and easier to maintain
- Delivers 100% fresh air

NON-CLOGGING WATER DISTRIBUTION SYSTEM

Breezair's patented non-clogging water distribution system maximizes cooling efficiency by supplying continuous water flow across the cooling pads. It maintains perfect pad saturation providing the highest evaporation efficiency and superior cooling.



BREAKTHROUGH BLACK OPAL™ MINI-CELL CHILLCEL® PAD TECHNOLOGY

- The only evaporative cooling medium of its kind. Fully manufactured in Australia. It's an **absolute out-performer!**
- Exclusive small cell design provides cutting-edge cooling capacity.
- Maintains our global leading Mini-Cell Chillcel® pad technology, which increases surface area of the pads by 25%, dramatically multiplying cooling capacity and efficiency - **BEYOND BELIEF!**
- **BLACK OPAL™ MINI-CELL CHILLCEL® pads** deliver transformational aesthetics to your home enabling the unit to blend seamlessly into its surroundings.

PERMATUF™ CORROSION-PROOF CABINET

The Breezair cabinet is made of UV stabilized structural polymer material and will not corrode or rust.

OPTIONAL EXTRAS MAGIQTOUCH® AIR SENSORS



Internal Air Sensor

A remote temperature and humidity sensing module.

Enables the MagIQtouch® Controller to be mounted in a convenient location (e.g. living area), while still sensing air from the conditioned space.

External Air Sensor

Intuitively optimizes water and energy usage based on outside ambient conditions and displays current outside temperature.

Sensing module automatically drains the water tank when temperature nears freezing.

COOLER CONNECTIVITY

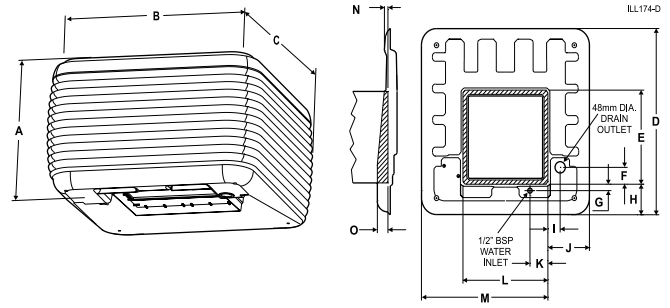
Operate multiple coolers from a single MagIQtouch® controller, using optional link module and wiring loom – no special controllers required!

For all connectivity options, please refer to the installation manual.

ICON EXQ Technical Information

ICON EXQ SERIES

Specification		EXQ 170	EXQ 210
Airflow	Industry standard (CFM)	7,500	9,500
Cooling Capacity*	0.3 IWG (BTU/hr)	37,580	46,070
Power Consumption (total)	Power Max (W)	1,220	1,870
	Current - Rated (A)	6.0	10.0
Power Supply	Voltage / Phases / Hz	220-240 / 1 / 60	220-240 / 1 / 60
Controller	Type	Digital	Digital
Fan	Type	Centrifugal	Centrifugal
	Diameter (inches)	18 1/2 x 15	18 1/2 x 15
	Speed Max (RPM)	510 VAR	680 VAR
Motor	Type	Direct Drive	Direct Drive
	Speed Max (RPM)	510 VAR	680 VAR
	Output Max (W)	750 @ 200-264V	1,500 @ 200-264V
	Overload	Auto reset	Auto reset
	Enclosure Rating	IP2X	IP2X
Pump	Type	Centrifugal	Centrifugal
	Motor	Synchronous	Synchronous
	Power - Rated (W)	40	40
	Flow rate (gal / min)	4.4	4.4
	Voltage / Phases / Hz	230 / 1 / 60	230 / 1 / 60
	Overload	Thermal One Shot	Thermal One Shot
	Enclosure Rating	IPX4	IPX4
Cooling pad Chillcel™	Size (inches)	31 1/2 x 25 (H) x 3 1/2 (4 pads)	31 1/2 x 25 (H) x 3 1/2 (2pads) 31 1/2 x 25 (H) x 4 (2pads)
	Pad area (feet²)	22	22
Water	Tank capacity (gal)	2.9	2.9
	Inlet (inches)	1/2" male BSP	1/2" male BSP
Shipping	Dimensions (inches) including pallet	45 7/8 x 45 5/8 x 37 1/2 (H)	45 7/8 x 45 5/8 x 37 1/2 (H)
	Volume (feet³)	45.6	45.6
	Mass - Shipping (lbs)	183	185
	Mass - Operating (lbs)	199	201
	Connecting Duct	Length x Width (inches)	21 7/8 x 21 7/8 (19% sq roof jack adapter included)



CABINET DETAILS															
Model#	A	B	C	D	E	F	G	H	I	J	K	L	M	N	O
EXQ 170	34	45 3/4	45 3/4	43 3/4	21 3/8	4 3/4	1 1/2	7 3/4	3 3/4	10 3/4	4 3/4	21 7/8	32 3/4	1 1/2	3 3/4
EXQ 210	34	45 3/4	45 3/4	43 3/4	21 3/8	4 3/4	1 1/2	7 3/4	3 3/4	10 3/4	4 3/4	21 7/8	32 3/4	1 1/2	3 3/4

Note: All dimensions are in inches.

Typical installation

Drain outlet	1 1/2" BSP to 3/4" OD Reducer piece designed for push-on use with a flexible hose (3/4" ID) or solid PVC pipe (3/4" ID)
Water inlet	1/2" BSP to 3/8" Nom or 1/2" BSP to 1/4" compression adapter pieces
Electrical	1/2" Flexible conduit
Control kit (required)	Option 1: MagIQtouch® WIRED Wall Control KIT Part #094298 Option 2: MagIQtouch® WIRELESS Wall Control KIT Part #118376

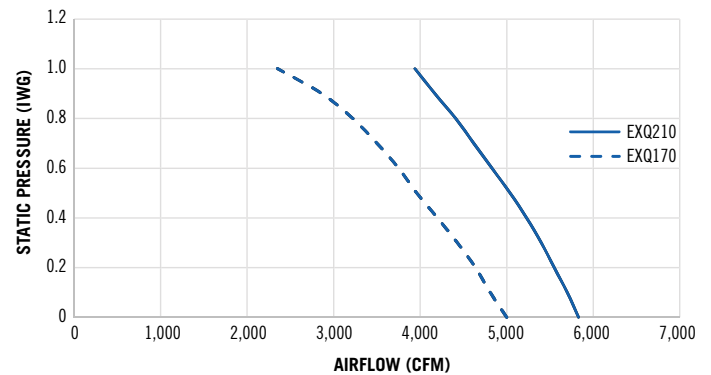
Cooling capacity measured to Australian Standard AS2913-2000, ambient of 100.4°F dry bulb & 69.8°F wet bulb, with room exit temperature of 81.3°F

Cooler Discharge Air Temperature Chart

Ambient Dry Bulb Temperature °F	Ambient Relative Humidity %								
	10	20	30	40	50	60	70	80	90
50	37	38	40	42	43	45	46	47	49
60	43	46	47	50	52	53	55	57	58
70	50	53	55	58	60	62	64	66	68
80	56	60	63	66	68	71	73	76	78
90	62	66	70	74	77	80	83	85	88
100	68	73	78	82	85	89	92	95	N/A
110	74	80	85	90	94	N/A	N/A	N/A	N/A
120	80	87	93	98	103	N/A	N/A	N/A	N/A
130	86	94	101	106	N/A	N/A	N/A	N/A	N/A

This chart represents approximate air temperatures based on 87% saturation efficiency at sea level from tests carried out to Australian Standard 2913.

FAN CURVE (CFM)



Model	Industry Standard CFM	Motor (W)	Air Flow - Cubic feet/min (CFM vs. Inch water gauge (IWG))						
			0.0	0.1	0.2	0.3	0.4	0.5	0.6
EXQ170	7,500	750	5,000	4,810	4,640	4,430	4,200	3,960	3,750
EXQ210	9,500	1,500	5,830	5,700	5,550	5,400	5,230	5,040	4,830



BREEZAIR GUARANTEE

For complete peace of mind, Breezair backs every one of its air conditioning systems with an industry leading comprehensive guarantee program. Refer to your owner's manual for all service and guarantee terms and conditions.

www.seeleyinternational.com



Seeley International Americas
1002 S. 56th Avenue, Suite #101, Phoenix, AZ 85043 | 602.353.8066
4430 Glencoe Street, Denver, CO 80216 | 303.375.0878
ussales@seeleyinternational.com



Information in this brochure was correct at the time of preparation. E & OE

