

convair[™]
By SEELEY INTERNATIONAL 

CTA SERIES

AFFORDABLE RETROFIT



DISCOVER SUPERIOR EVAPORATIVE COOLING
AT AN EXCEPTIONAL VALUE

THE CONVAIR CTA SERIES

EVAPORATIVE COOLING

KEEPING YOUR FAMILY COOL HAS NEVER BEEN EASIER OR MORE AFFORDABLE

The Convair CTA Series is designed to solve your cooling inefficiencies with exceptional reliability and longevity – there is no comparison to rusting metal coolers of the past. The Convair CTA Series offers effortless installation, easy maintenance and a comprehensive warranty which means you can concentrate on staying cool.

BREAKTHROUGH BLACK OPAL™ MINI-CELL CHILLCEL® PAD TECHNOLOGY

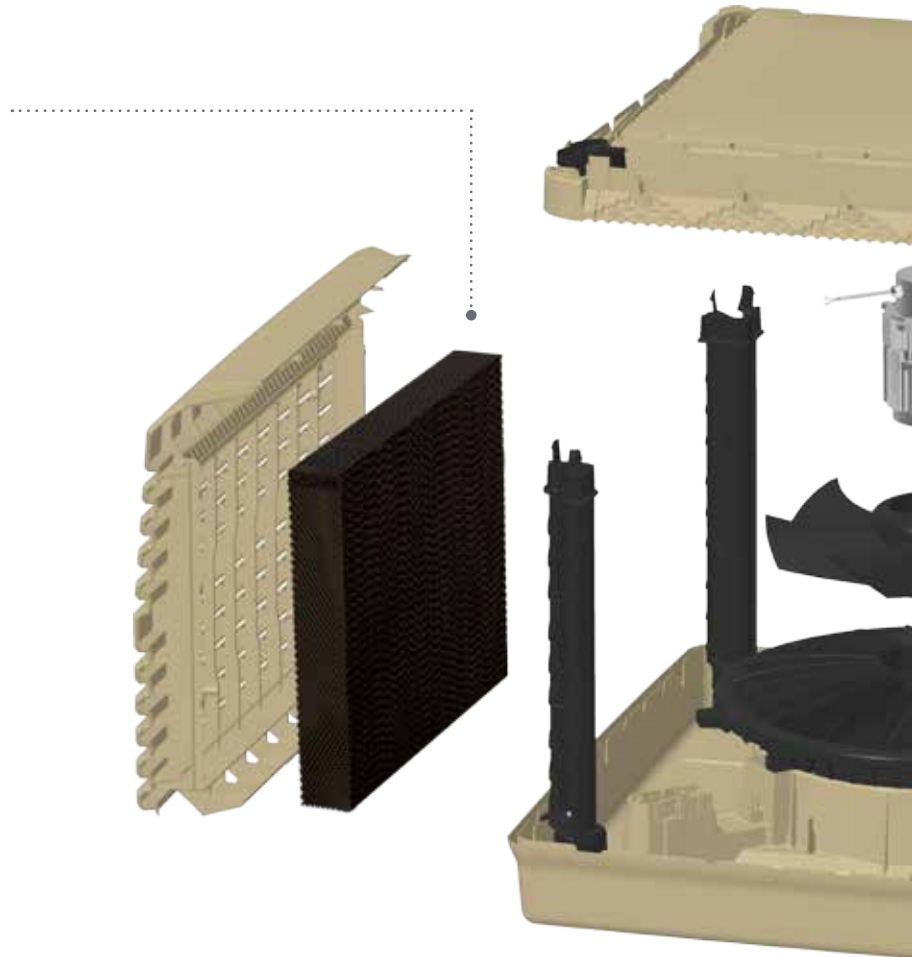
- The only evaporative cooling medium of its kind. Fully manufactured in Australia. It's an **absolute out-performer!**
- Exclusive small cell design provides cutting-edge cooling capacity.
- Maintains our global leading Mini-Cell Chillcel® pad technology, which increases surface area of the pads by 25%, dramatically multiplying cooling capacity and efficiency - **BEYOND BELIEF!**
- **BLACK OPAL™ MINI-CELL CHILLCEL® pads** deliver transformational aesthetics to your home enabling the unit to blend seamlessly into its surroundings.



AUTO WEATHERSEAL (OPTIONAL)

The AUTO Weatherseal closes the cooler air discharge outlet automatically, thus significantly reducing natural air currents from circulating in and out of the building. The result – a more comfortable and controlled environment. Be sure to talk to your installer about optional extras.

Requires a 21 5/8" square raw edged roof jack. Refer to technical specifications for more information. NOTE: Units will not operate with any of the Breezair roof jack adapters.



TORNADO® WATER PUMP

Designed, manufactured and tested by Seeley International. The encapsulated motor has an overload cut-out, stainless steel shaft and bearings with a smart impact-start feature that will overcome any tendency for the pump to become locked up with residue during prolonged off-periods.



CONVAIR GUARANTEE

For complete peace of mind, Convair backs every one of its air conditioning systems with an industry leading comprehensive guarantee program.

DELIVERING HIGH PERFORMANCE EVAPORATIVE COOLING AT UNBELIEVABLE VALUE

Specifically designed to offer a high quality, affordable and energy-efficient solution for residential and light commercial installations.



ECONOMICAL COOLING CAPACITY

Provides a solution for a more affordable installation.



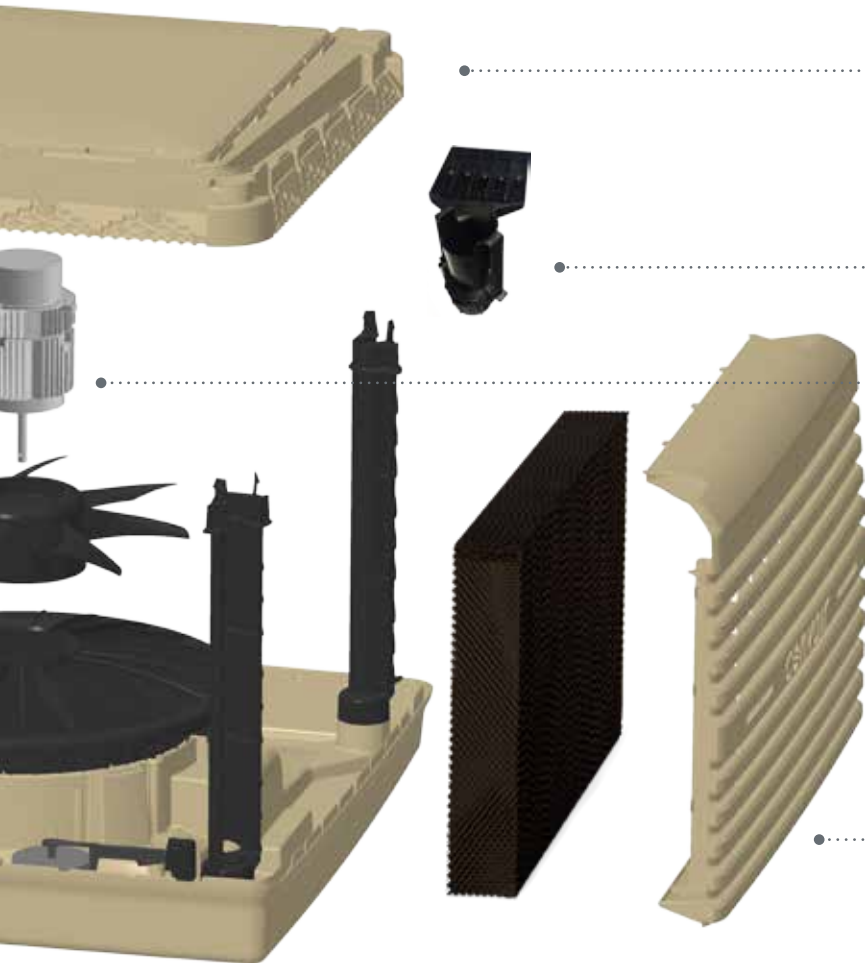
REGULATORY COMPLIANCE

Convair's CTA Series has been tested by a Nationally Recognized Testing Laboratory. ETL Listed to Standard for Electric Fans (UL-507).



115V / 60HZ POWER SUPPLY

Available in single phase power supply with built-in fuses to protect the motor and pump.



NON-CLOGGING WATER DISTRIBUTION

The water distribution maximizes cooling efficiency, ensuring a continuous and balanced flow of water across the cooling pads.

BLEED-OFF TRAY

The easy to install bleed-off tray provides a more precise bleed rate, which results in less mineral build-up in the pads.



COMPLETELY ENCLOSED MOTOR

Convair's fan motor is fully enclosed, preventing moisture and airborne particles from getting inside the motor enclosure. No belts or pulleys necessary.



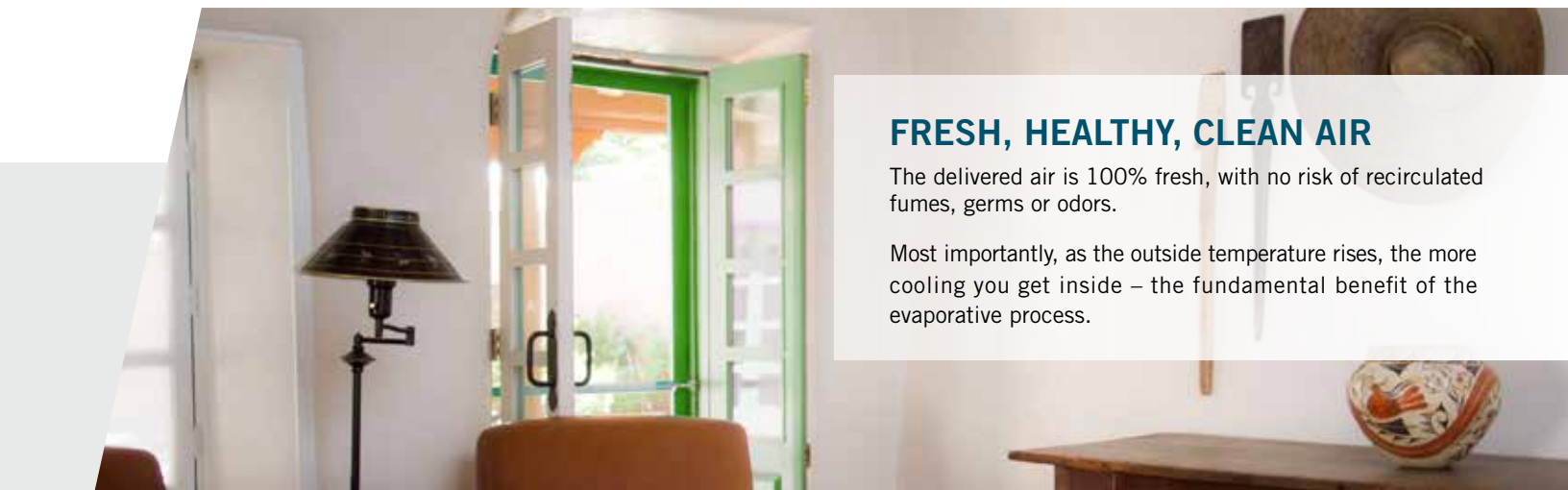
LIGHTWEIGHT & DURABLE

Permatuf™ corrosion-proof cabinet and lightweight construction, UV-stabilized structural polymer materials which means the cabinet will not corrode or rust. Since it's so much lighter than other coolers on the market, it's easier to install.

FRESH, HEALTHY, CLEAN AIR

The delivered air is 100% fresh, with no risk of recirculated fumes, germs or odors.

Most importantly, as the outside temperature rises, the more cooling you get inside – the fundamental benefit of the evaporative process.



CTA Technical Information

CTA SERIES

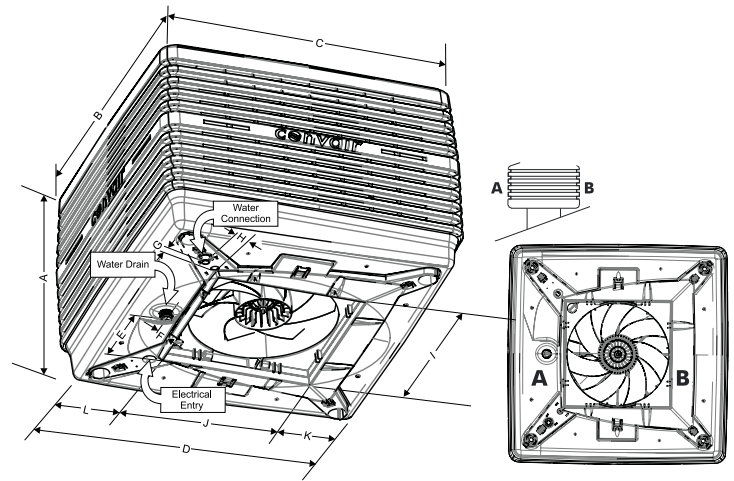
Specification		CTA 250	CTA 500
Airflow	Industry standard (CFM)	6,000	8,500
Cooling Capacity*	.3 IWG (BTU/hr)	27,300	44,020
Power Consumption (total)	Power Max (W)	620	1,330
	Current - Rated (A)	7.0	14
Power Supply	Voltage / Phases / Hz	115 / 1 / 60	115 / 1 / 60
Controller	Type	Not Supplied	Not Supplied
Fan	Type	Axial	Axial
	Diameter (inches)	21.1	2.1
Motor	Type	PSC - 2 Speed	PSC - 2 Speed
	Shaft Speed Max (RPM)	1,150	1,650
	Output Max (W)	330	950
Pump	Type	Centrifugal	Centrifugal
	Motor	Synchronous	Synchronous
	Power - Rated (W)	0.7	0.7
	Flow rate (gal / min)	5.5	5.5
	Voltage / Phases / Hz	115 / 1 / 60	115 / 1 / 60
	Overload	Thermal One Shot Fuse	Thermal One Shot Fuse
Cooling pad Chillcel™	Enclosure Rating	IPX4	IPX4
	Size (inches)	33 1/2 x 14 3/4 H x 3 1/2 (4 Pads)	33 1/2 x 20 3/4 H x 3 1/2 (4 Pads)
Water	Pad area (feet²)	13.8	19.2
	Tank capacity (gal)	6.1	6.1
Shipping	Inlet (inches)	1/2" male BSP	1/2" male BSP
	Dimensions (inches) including pallet	45 1/4 x 45 1/4 x 29 1/2 H	45 1/4 x 45 1/4 x 3 1/2 H
Connecting Duct	Volume (feet³)	35	42.4
	Mass - Shipping (lbs)	141	148
	Mass - Operating (lbs)	192	198
	Length x Width (inches)	21 7/8 x 21 7/8 OR 17 3/4 x 17 3/4 Adapter	21 7/8 x 21 7/8 OR 19 3/4 x 19 3/4 Adapter

*Cooling capacity is measured to Australian Standard AS2913-2000, ambient of 100.4°F dry bulb & 69.8°F wet bulb, with room exit temperature of 81.3°F. Convair's CTA Series has been tested by the Nationally Recognized Testing Laboratory. ETL List to Standard for Electric Fans (UL-507).

Cooler Discharge Air Temperature Chart

Ambient Dry Bulb Temperature °F	Ambient Relative Humidity %								
	10	20	30	40	50	60	70	80	90
50	37	38	40	42	43	45	46	47	49
60	43	46	47	50	52	53	55	57	58
70	50	53	55	58	60	62	64	66	68
80	56	60	63	66	68	71	73	76	78
90	62	66	70	74	77	80	83	85	88
100	68	73	78	82	85	89	92	95	N/A
110	74	80	85	90	94	N/A	N/A	N/A	N/A
120	80	87	93	98	103	N/A	N/A	N/A	N/A
130	86	94	101	106	N/A	N/A	N/A	N/A	N/A

This chart represents approximate air temperatures based on 87% saturation efficiency at sea level from tests carried out to Australian Standard 2913.



CABINET DETAILS

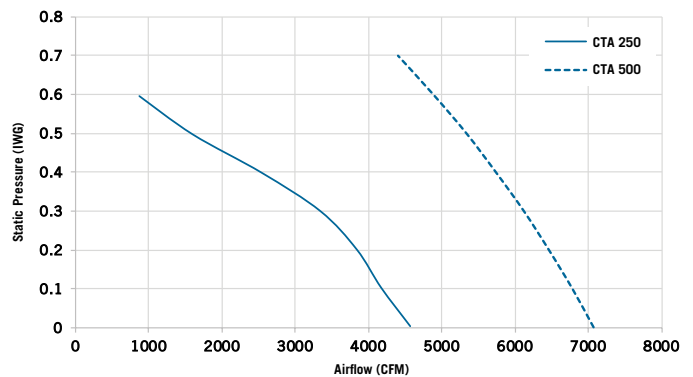
Model#	A	B	C	D	E	F	G	H	I	J	K	L
CTA 250	27	45 1/4	45 1/4	42 1/2	10 3/4	3 3/4	3 1/4	3 1/4	21 7/8	21 7/8	9 3/4	11
CTA 500	32 7/8	45 1/4	45 1/4	42 1/2	10 3/4	3 3/4	3 1/4	3 1/4	21 7/8	21 7/8	9 3/4	11

Note: All dimensions are in inches.

Typical installation

Drain outlet	1 1/2" BSP to 3/4" OD Reducer piece designed for push-on use with a flexible hose (3/4" ID) or solid PVC pipe (3/4" ID)
Water inlet	1/2" BSP to 3/8" Nom or 1/2" BSP to 1/4" compression adapter pieces
Electrical	1/2" Flexible conduit

FAN CURVE (CFM)



Model	Industry Standard CFM	Motor (HP)	Air Flow - Cubic feet/min (CFM) vs. Inch water gauge (IWG) HIGH SPEED						
			0.0	0.1	0.2	0.3	0.4	0.5	0.6
CTA 250	6,000	1/2	4,560	4,170	3,840	3,350	2,560	1,630	910
CTA 500	8,500	1 1/4	7,070	6,780	6,460	6,120	5,740	5,340	4,890

www.seeleyinternational.com



Seeley International Americas
 1002 S. 56th Avenue, Suite #101, Phoenix, AZ 85043 | 602.353.8066
 4430 Glencoe Street, Denver, CO 80216 | 303.375.0878
ussales@seeleyinternational.com



Information in this brochure was correct at the time of preparation. E & OE