

IMPORTANT! READ THIS FIRST BEFORE COMMENCING INSTALLATION

MULTI-MAGIC PRESSURE SENSOR INSTALLATION

This sensor measures differential air pressure. It is intended for use with a compatible CW-80 or CW-H cooler.

These instructions are to be read in conjunction with the cooler installation manual.

Sensor Specifications

Power: 10-36 Vdc or 17-36 Vac.

Range: 0-500 Pa or 0-2.00 inwg.

Output: 0-10 Vdc

Recommended Cable Specification

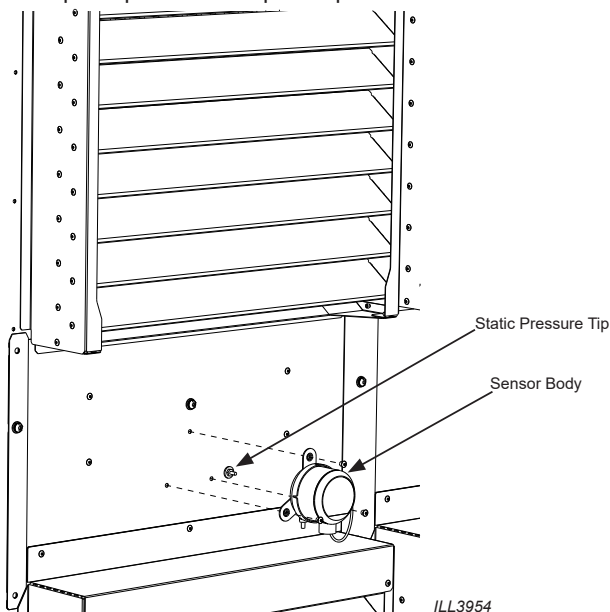
- Instrumentation Cable
- 3x 0.5mm² (AWG 20) conductors;
- Communication wiring must be kept separate from AC power wiring.
- Always route communication cables at least 300mm (12") away from high voltage cables and high-power machines.
- Crossover high power cables at right angles.

CW-80 FITMENT

To use the Multi-Magic Pressure Sensor to measure pressure drop across the intake air filters, install the provided static pressure tip and sensor body on the detachable panel between the upper and lower intakes, nearest the control enclosure.

Use the sensor mounting bracket as a drilling template and secure using the provided rivets.

Connect the pressure tip to the negative sensor port. Leave the positive port open to atmospheric pressure.

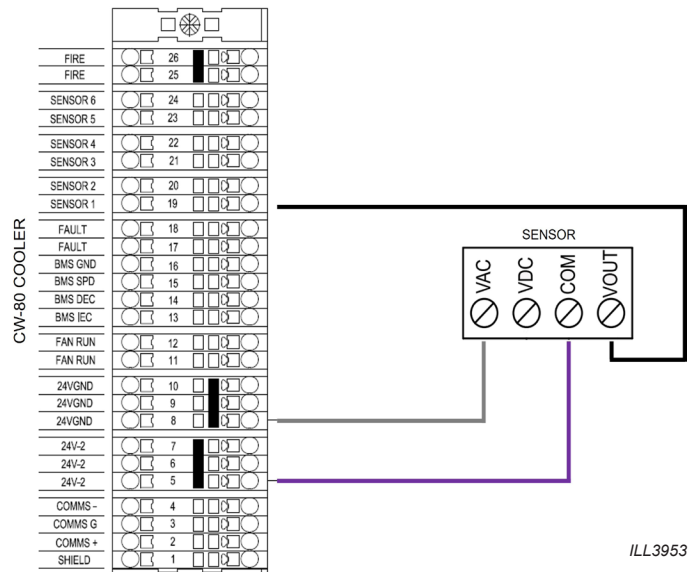


CW-80 TERMINAL WIRING

CW-80 has six 0-10Vdc sensor input channels, configured as three pairs, and labelled as S1/S2, S3/S4, and S5/S6.

The Multi-Magic Pressure Sensor only requires one input channel which can be wired into S1 (as shown), S3 or S5.

24Vac power can be supplied by the cooler (as shown) or a separate power supply (not included).

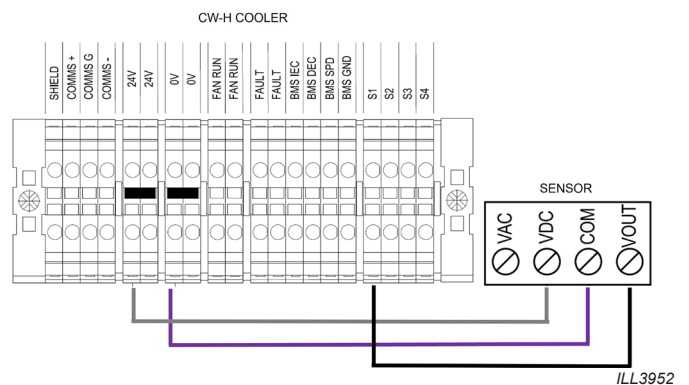


CW-H TERMINAL WIRING

CW-H has four 0-10Vdc sensor input channels, configured as two pairs, and labelled as S1/S2, and S3/S4

The Multi-Magic Pressure Sensor only requires one input channel which can be wired into S1 (as shown) or S3.

24Vdc power can be supplied by the cooler (as shown) or a separate power supply (not included).



ENABLING

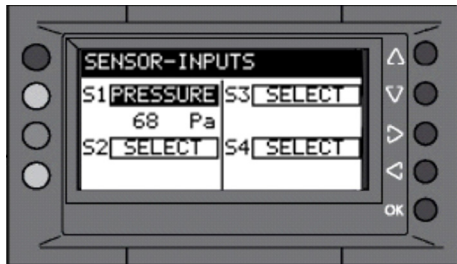
After installation, use the LEFT/RIGHT buttons to navigate to the SENSORS screen on the cooler PLC screen.

Select the appropriate sensor input channel and change the input type to PRESSURE.

Check the pressure value is present and correct.

Units can be changed between Metric (Pa) and Imperial (inWG) in the PLC settings.

Multiple sensors can be installed, up to the maximum available inputs. Refer to the cooler installation manual for full details.



USING

Pressure sensor values are available to be read by Modbus or BACnet primary controllers. Refer to the cooler installation manual for full details.

Warranty Service Australia
1300 650 644

For outside Australia contact your local dealer.

seeleyinternational.com

It is the policy of Seeley International to introduce continual product improvement. Accordingly, specifications are subject to change without notice. Please consult with your dealer to confirm the specifications of the model selected.